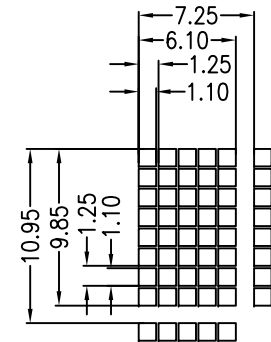
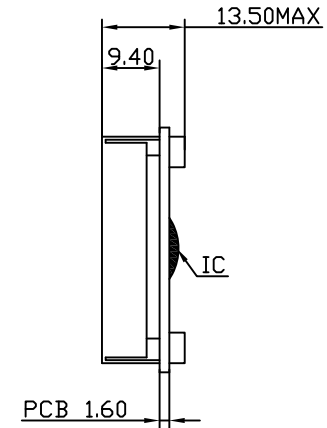
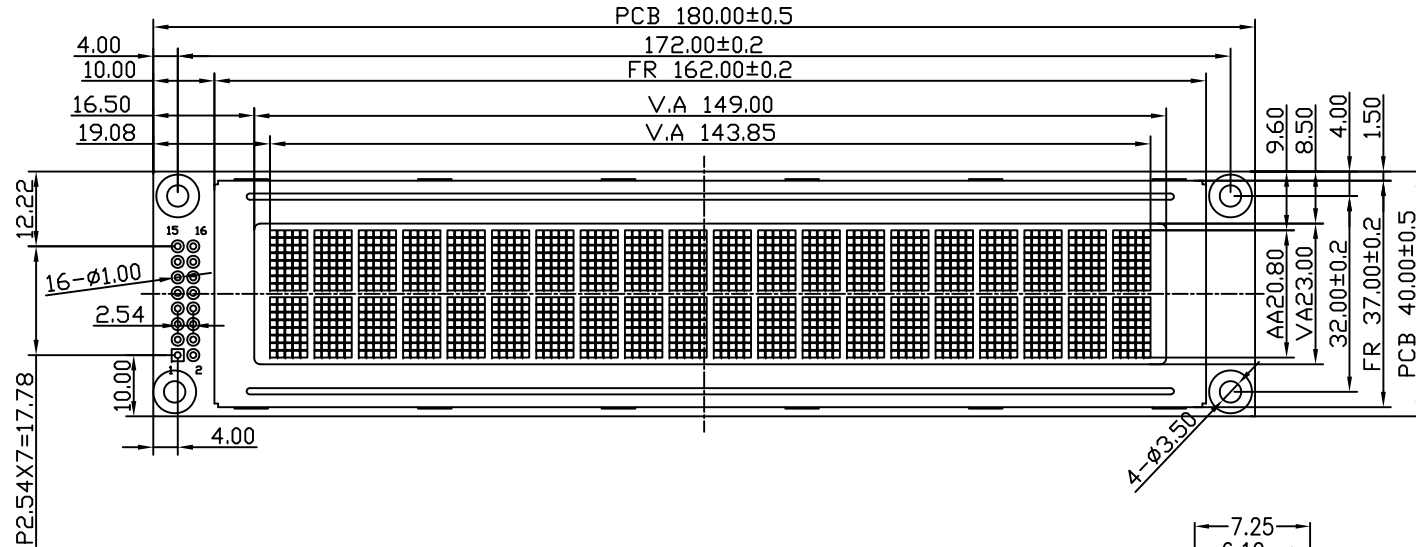


| REV: | DESCRIPTION | BY | DATE |
|------|-------------|-------|------|
| V1.0 | New issue | SD-05 | |
| | | | |



| NO | Symbol |
|----|--------|
| 1 | VSS |
| 2 | VDD |
| 3 | V0 |
| 4 | RS |
| 5 | RW |
| 6 | E |
| 7 | DB0 |
| 8 | DB1 |
| 9 | DB2 |
| 10 | DB3 |
| 11 | DB4 |
| 12 | DB5 |
| 13 | DB6 |
| 14 | DB7 |
| 15 | A |
| 16 | K |

NOTES :

- | | |
|---|---------------------------------|
| 1. LCD TYPE: | STN-Blue, Negative Transmissive |
| 2. OPERATING VOLTAGE: | VDD=5.0V, Vop=5.0V |
| 3. VIEWING DIRECTION: | 6 O'CLOCK |
| 4. DRIVE METHOD: | 1/16 Duty, 1/5 Bias |
| 5. OPERATING TEMP: | -20°C TO +70°C |
| 6. STORAGE TEMP: | -30°C TO +80°C |
| 7. CONNECTOR TAPE: | Zebra |
| 8. DRIVER IC: | AIP31066 or Equivalent |
| 9. BACKLIGHT: | White |
| 10. ALL sub-parts and materials of the parts, must comply with the RoHS instructions of EU. | |

UTECH UTECH DISPLAY TECHNOLOGY CO., LTD.

| | | | | | |
|---------------------------------|------------|--------------------------|----------------------|----------|-----------|
| TOLERANCES:±0.2 ANGLES:±0.1° | UNIT:MM | MODEL NO: UDCB2002-02 | www.utechdisplay.com | | |
| | DATE | DESIGENED | CHECKED | APPROVED | REV: 1.0 |
| | 2017-07-29 | UD-05 | | UD-02 | PAGE: 1-1 |