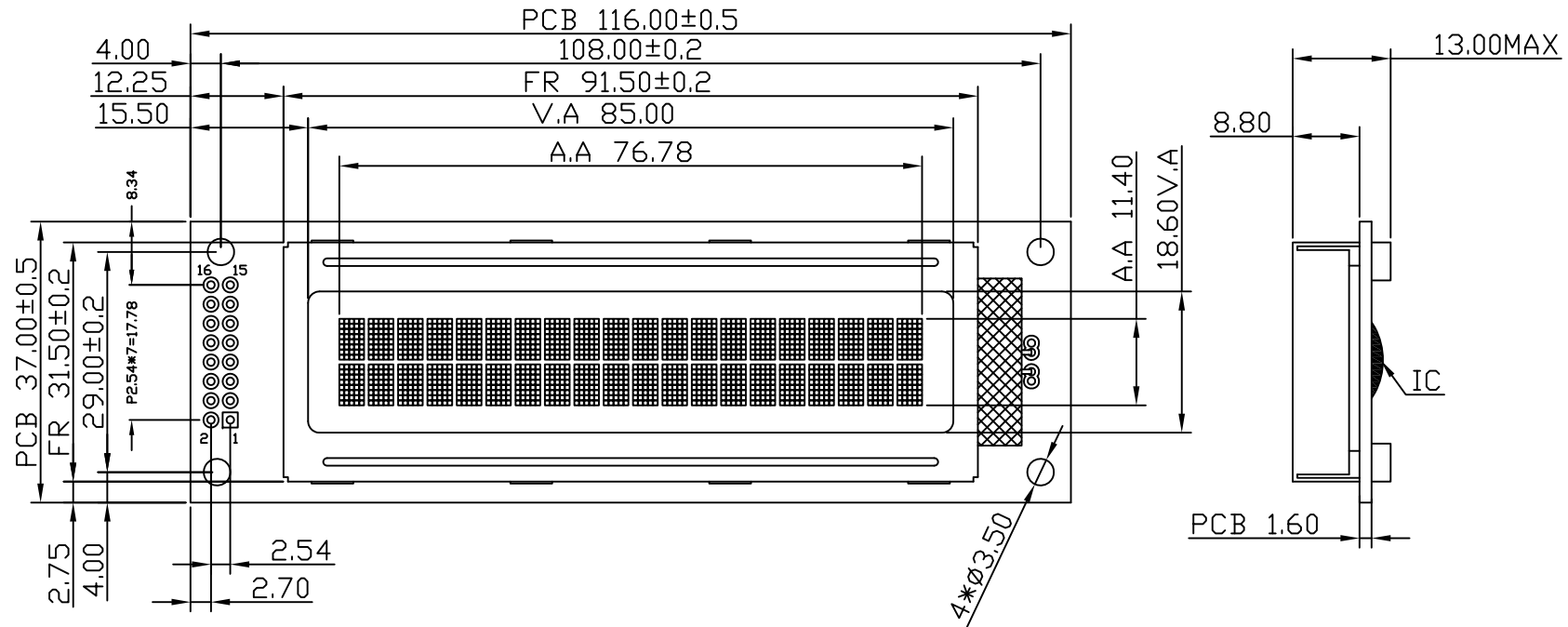


REV:	DESCRIPTION	BY	DATE
V1.0	New issue	SD-05	



NO	Symbol
1	VSS
2	VDD
3	V0
4	RS
5	RW
6	E
7	DB0
8	DB1
9	DB2
10	DB3
11	DB4
12	DB5
13	DB6
14	DB7
15	A
16	K

NOTES :

- | | |
|---|-------------------------------|
| 1. LCD TYPE: | STN Y-G Positive Transmissive |
| 2. OPERATING VOLTAGE: | VDD=5.0V, Vop=5.0V |
| 3. VIEWING DIRECTION: | 6 O'CLOCK |
| 4. DRIVE METHOD: | 1/16 Duty, 1/5 Bias |
| 5. OPERATING TEMP: | -20°C TO +70°C |
| 6. STORAGE TEMP: | -30°C TO +80°C |
| 7. CONNECTOR TAPE: | Zebra |
| 8. DRIVER IC: | AIP31066 or Equivalent |
| 9. BACKLIGHT: | Yellow-Green |
| 10. ALL sub-parts and materials of the parts, must comply with the RoHS instructions of EU. | |

UTECH UTECH DISPLAY TECHNOLOGY CO., LTD.

TOLERANCES:±0.2 ANGLES:±0.1°	UNIT:MM	MODEL NO: UDCB2002-01	www.utechdisplay.com		
	DATE	DESIGENED	CHECKED	APPROVED	REV: 1.0
	2017-06-02	UD-05		UD-02	PAGE: 1-1