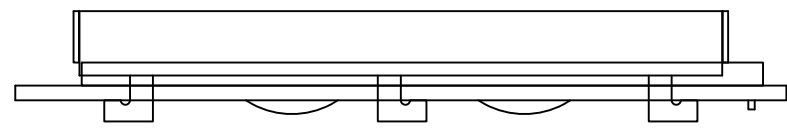
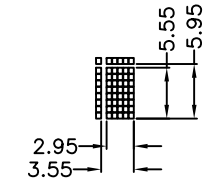
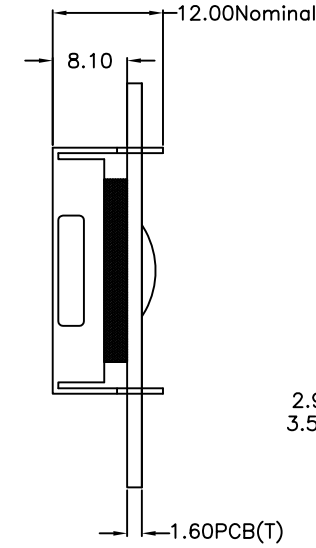
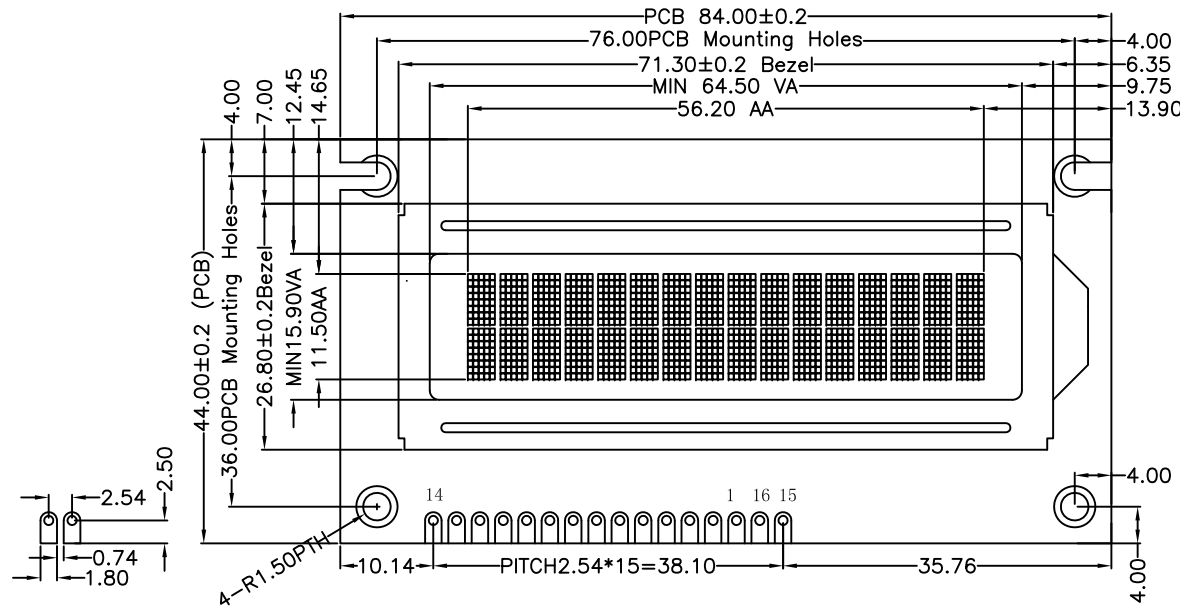


REV:	DESCRIPTION	BY	DATE
V1.0	New issue	SD-05	



NO	Symbol
1	VSS
2	VDD
3	V0
4	RS
5	RW
6	E
7	DB0
8	DB1
9	DB2
10	DB3
11	DB4
12	DB5
13	DB6
14	DB7
15	A
16	K

- NOTES :
- 1. LCD TYPE: STN Y-G, Psitive Transmissive
 - 2. OPERATING VOLTAGE: VDD=5.0V, Vop=4.70V
 - 3. VIEWING DIRECTION: 6 O'CLOCK
 - 4. DRIVE METHOD: 1/16 Duty, 1/5 Bias
 - 5. OPERATING TEMP: -20°C TO +70°C
 - 6. STORAGE TEMP: -30°C TO +80°C
 - 7. CONNECTOR TAPE: Zebra
 - 8. DRIVER IC: AIP31066 or Equivalent
 - 9. BACKLIGHT: Yellow-Green Ipcs LED Backlight
 - 10. ALL sub-parts and materials of the parts, must comply with the RoHS instructions of EU.

UTECH UTECH DISPLAY TECHNOLOGY CO., LTD.

TOLERANCES:±0.2 ANGLES:±0.1°	UNIT:MM	MODEL NO: UDCB1602-03	www.utechdisplay.com		
	DATE	DESIGENED	CHECKED	APPROVED	REV: 1.0
	2017-05-29	UD-05		UD-02	PAGE: 1-1